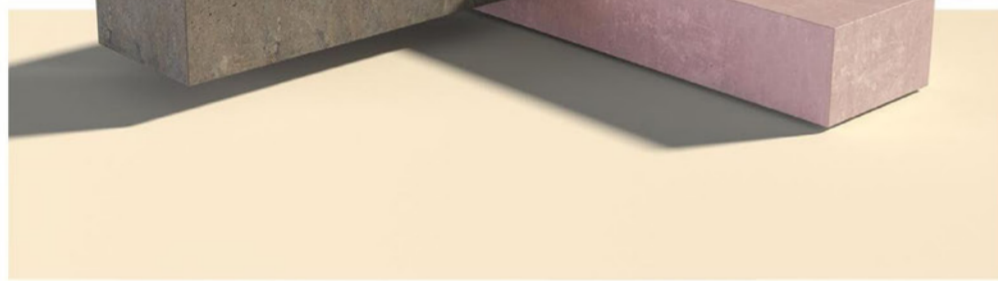


THE AFFIX

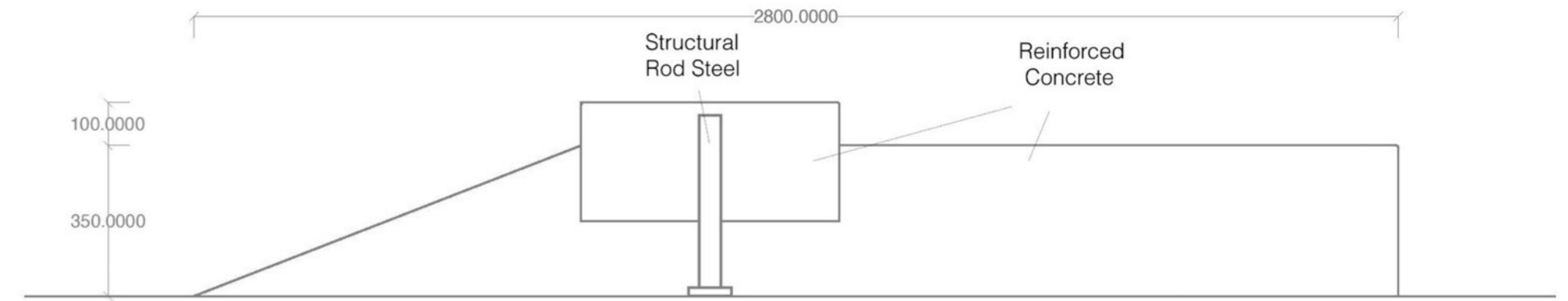
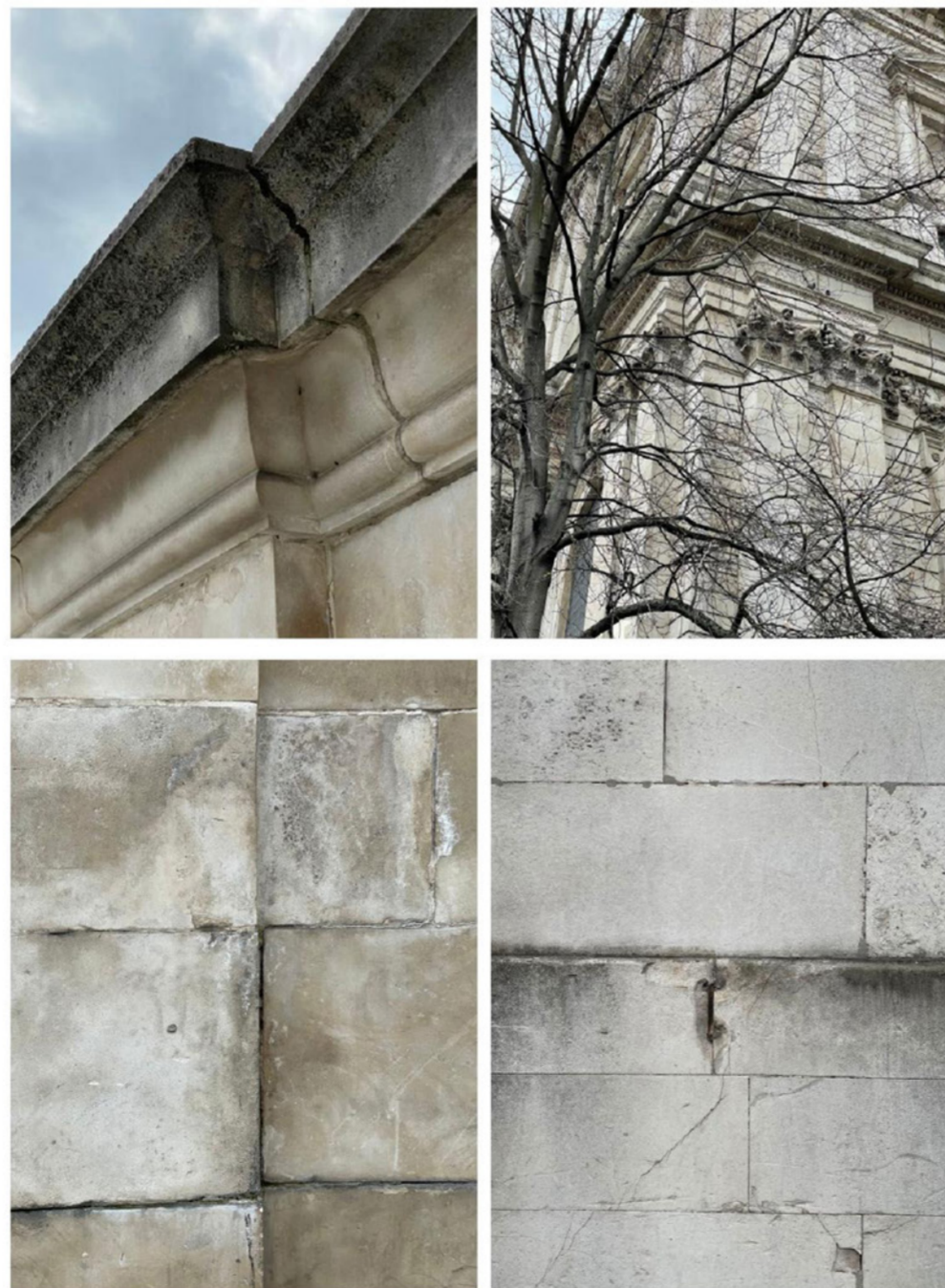
B Y

SONS SHOULD KNOW LTD

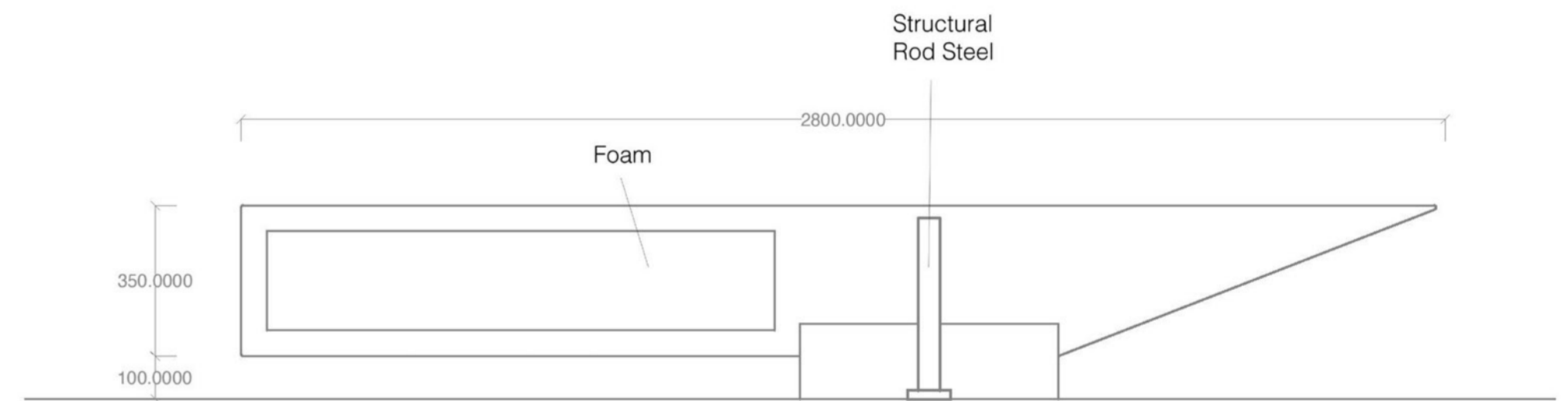
Alex	WONG
Enrica	TOFI
Melissa	MUSTAFA



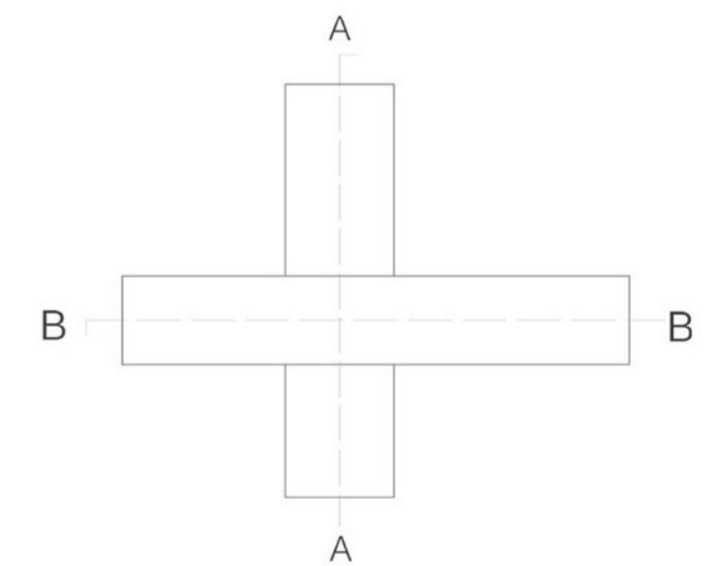
Our team consists of three BA Interior Design students from the University of East London. We created this team when we started the third year. We found that we collectively share strong values that create an energetic collaboration. When walking around the areas of Cheapside and Aldgate, we made observations in how people utilise the benches. We observed that the existing benches are straight, making users turn around and face each other when conversing. We realised that this is a problem that occurs on each bench. So, when designing, our primary focus was to create a bench that allows users to face one another to create physical engagement and look outwards towards the surrounding areas. We took inspiration from the existing concrete benches and decided to elongate one. We then split the bench diagonally and overlapped the concrete blocks at a 90-degree angle to create our design.

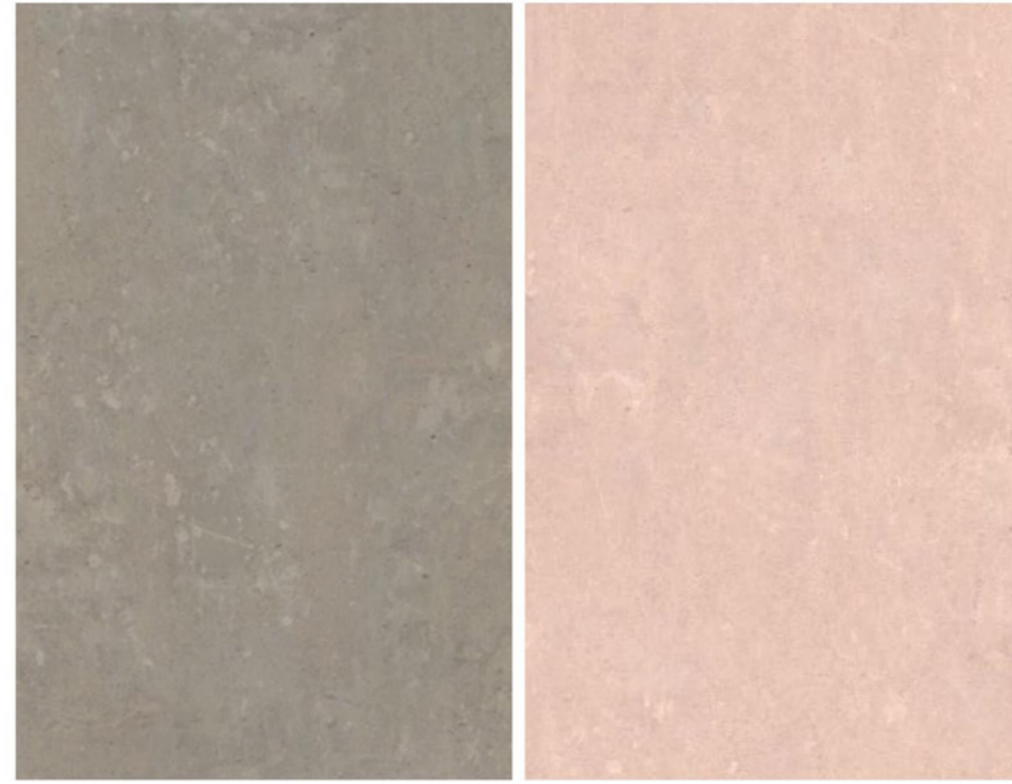
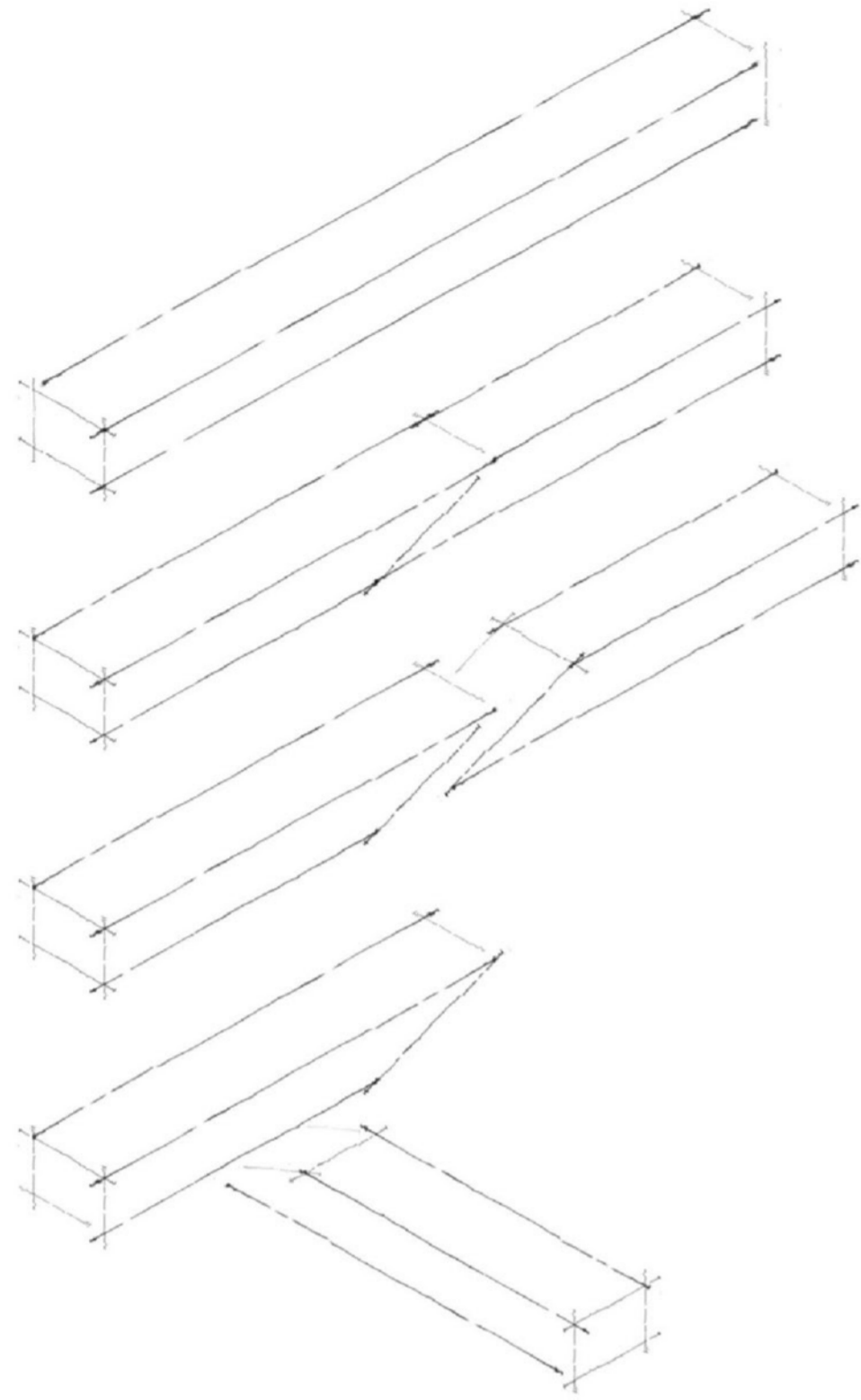


Section AA

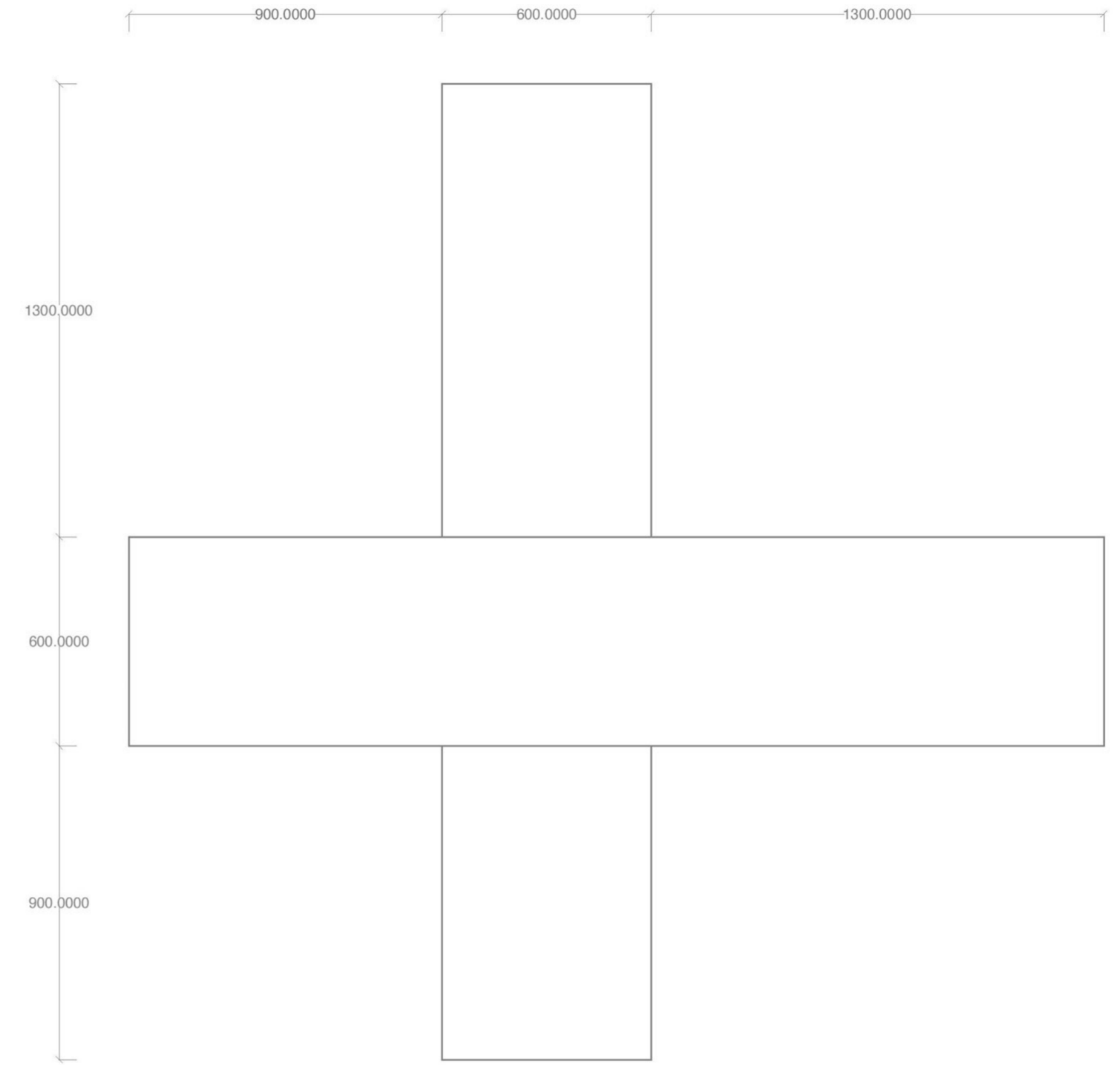
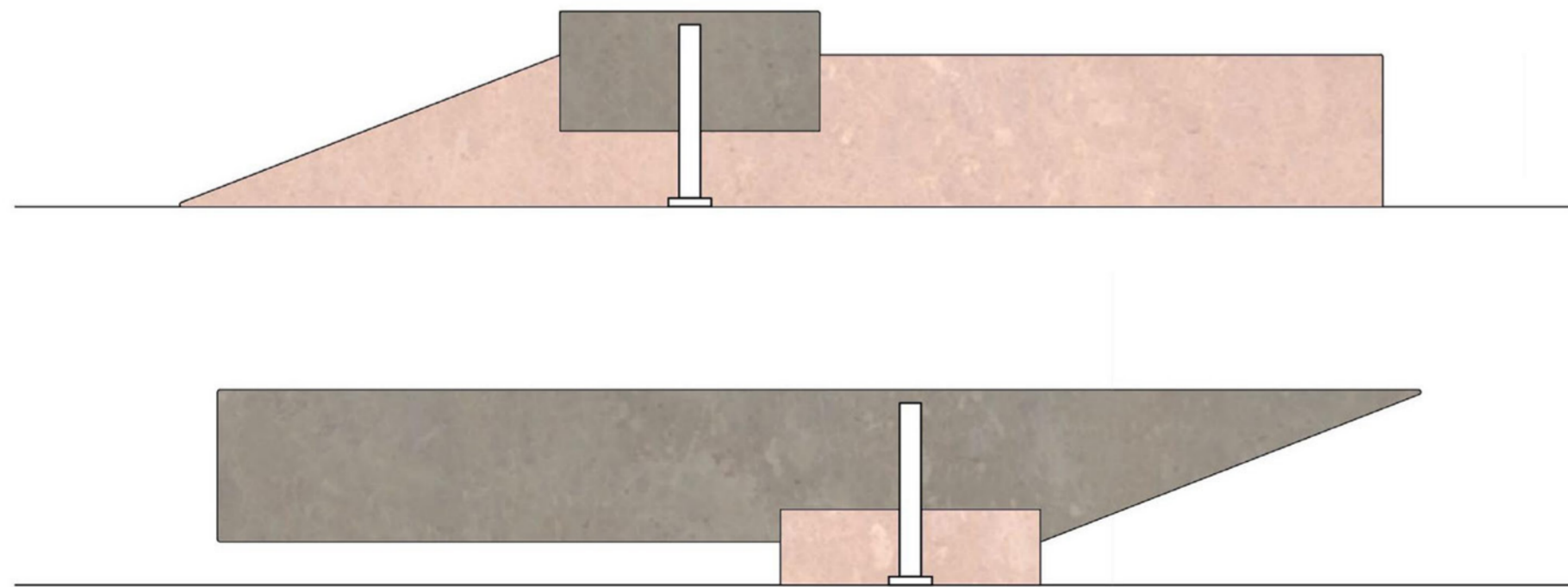


Section BB





The bench has two different heights; the lower height allows children and less-abled persons to easily access the bench, while the higher bench at a standard seating height. The intersection is a shared platform to place food, drinks and personal belongings. We bevelled the edges and corners of the bench so that the bench becomes user friendly for children. We rotated two blocks at a 90-degree angle to create our design. We used a clash of pink and grey concrete to add a playful element. The blossom trees inspired the pink we spotted scattered around the area and the grey mimicking the existing colour palette in the surrounding buildings.



Plan